

INSTALLATION GUIDE

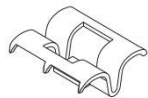
Decking Installation

Before Installation

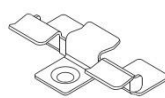
- ◆ Prepare ZHUART decking boards along with the necessary accessories, including stainless steel fasteners and screws.



L-fastener



U-fastener



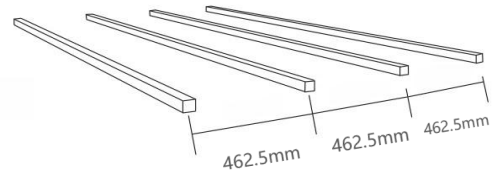
I-fastener



Flat decking (mm)

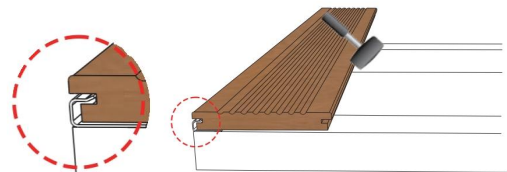
Substructure

- ◆ Use durable, rot-resistant materials such as galvanized steel for the joists.
- ◆ For decking boards with a length of 1850mm, space the joists at 462.5mm intervals (center to center). Ensure the ends of each decking board are properly supported on the joists.



Installation Using Hidden Clip Fasteners

- ◆ Use an L-fastener to secure the outer edge of the first decking board to the joist. Tap the decking firmly into the clip fastener using a rubber mallet.
- ◆ Position a U-fastener (or I-fastener) into the edge groove of the installed decking board. Tighten the screw in the fastener to secure it to the joist.
- ◆ Slide the next decking board onto the exposed fastener. Use a rubber mallet to tap the board into place.
- ◆ Repeat for subsequent boards, maintaining a gap of 5-6mm between adjacent boards.
- ◆ For the closing board, use a one-sided grooved decking board. Pre-drill holes on the surface and secure it to the joist with screws.



Option 1



Option 2

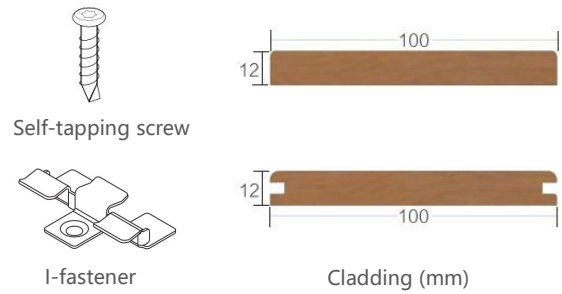


Note: This guide is for reference purposes only. Follow specific construction requirements and local building codes as applicable.

Cladding Installation

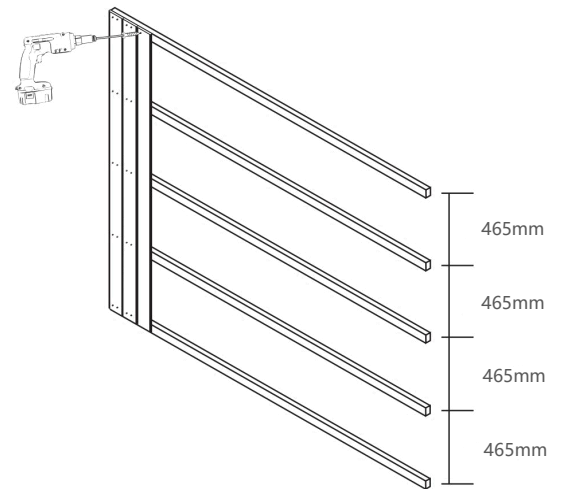
Before Installation

- ◆ Prepare ZHUART decking boards along with the necessary accessories, including stainless steel fasteners and screws.



Substructure

- ◆ Use durable materials for the joists.
- ◆ For cladding boards with a length of 1860mm, space the joists at 465mm intervals (center to center). Ensure the ends of each cladding board are positioned on the joists.

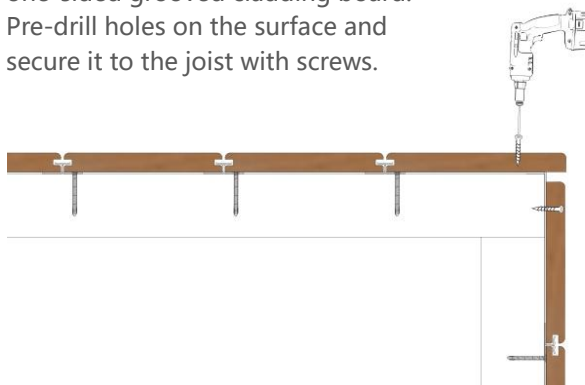
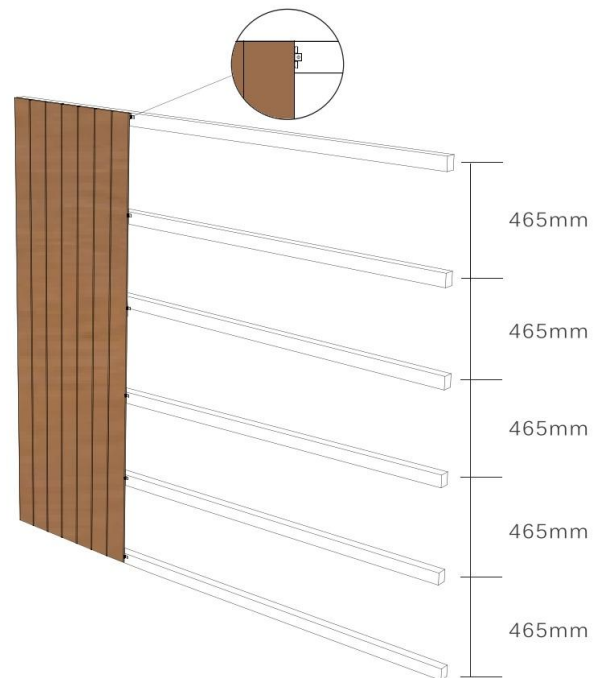


Installation Using Screws

- ◆ Pre-drill holes into the cladding boards. Secure the boards directly to the joists using screws.

Installation Using Hidden Clip Fasteners

- ◆ Insert an I-fastener into the edge groove of the cladding board. Tighten the screw in the fastener to secure it to the joist.
- ◆ Press the next cladding board into place over the exposed fastener.
- ◆ Repeat this process for the remaining boards. Leave a gap of approximately 2mm between adjacent boards.
- ◆ For the closing board, use a one-sided grooved cladding board. Pre-drill holes on the surface and secure it to the joist with screws.



Note: This guide is for reference purposes only. Follow specific construction requirements and local building codes as applicable.

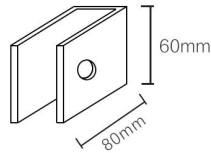
Panel Installation

Before Installation

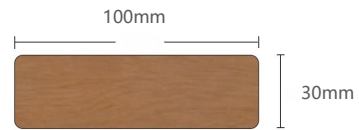
- ◆ Prepare ZHUART panels and necessary accessories, including stainless steel U-brackets, bolts and nuts.



Φ9mm bolt and nuts



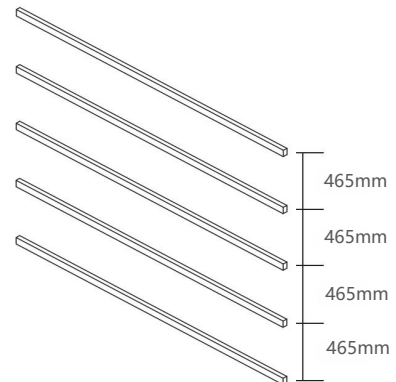
U-bracket



Panel

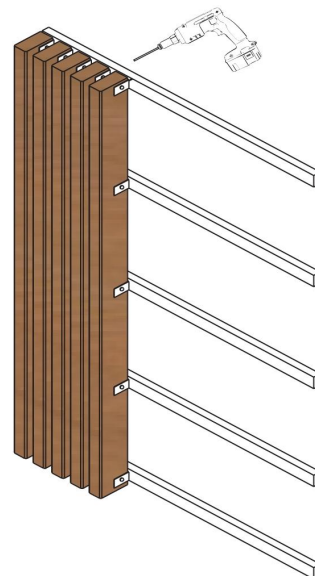
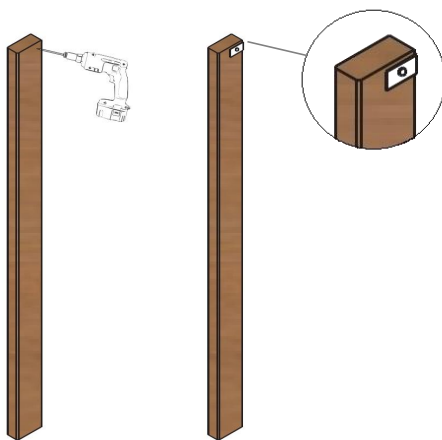
Substructure

- ◆ Use durable materials such as galvanized steel, aluminum, or stainless steel for the joists.
- ◆ For panels measuring 1860mm in length, space the joists at 465mm intervals (center to center). Ensure the ends of each panel are positioned on the joists.



Installation Using Screws

- ◆ Pre-drill holes into the panels. Secure each panel to the U-bracket using bolts and nuts.
- ◆ Weld the U-bracket to the joist using full-welded links.



Note: This guide is for reference purposes only. Follow specific construction requirements and local building codes as applicable.